

RESOL®

Solar thermal control technology

DeltaSol® AL

– high performance at an attractive price!

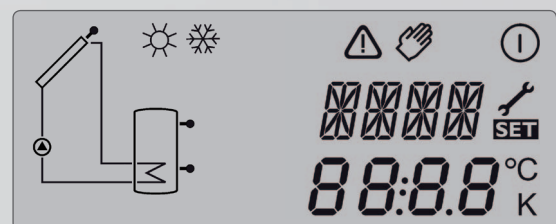


Simplicity and convenience all in one solar controller!

The DeltaSol® AL offers all the vital functions for a standard solar system with an optimum in clarity and convenience!

- ✓ System-Monitoring-Display
- ✓ Slide switch 0 Auto I
- ✓ Energy metering
- ✓ Function control
- ✓ Solar operating hours counter
- ✓ Intuitive operating concept
- ✓ RESOL VBus® data interface
- ✓ Energy-efficient through extra-low standby power consumption
- ✓ Unit indication switchable from °C to °F
- ✓ Programming and remote control of the system via RESOL ServiceCenter software possible

Keep an eye on your system...



...with the comprehensive display



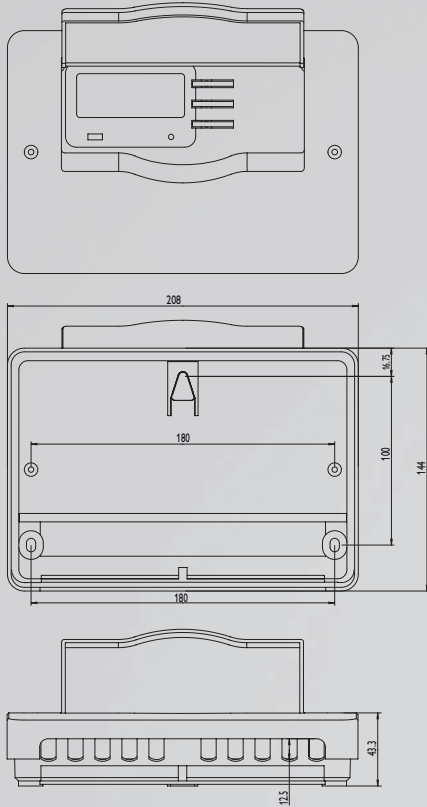
c

us

cTUVus certified!

www.resol.com

Technical data



Housing: plastic, PC-ABS and PMMA

Protection type: IP 20/EN 60529

Protection class: II

Ambient temperature: 0 ... 40 °C / 32 ... 104 °F

Dimensions: 144 x 208 x 43 mm / 5.67" x 8.19" x 1.69"

Installation:

wall mounting, mounting into patch panels possible

Display: system-monitor for visualization, 16-segment display, 7-segment display, 8 symbols for system states, background illumination and operating control lamp

Operation: 3 push buttons and 1 slide switch

Functions: differential temperature controller for standard solar systems, function control according to BAFA directives

Inputs: for 3 Pt1000 temperature sensors

Outputs: 1 electromechanical relay with change-over contact

Bus: RESOL VBus®

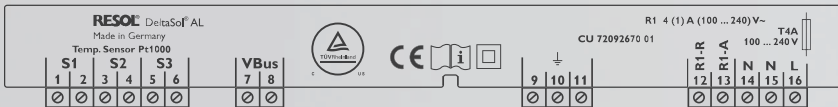
Power supply: 100 ... 240 V~ (50 ... 60 Hz)

Standby power consumption: 0.5 W

Switching capacity: 4 (1) A (100 ... 240) V~

Mode of operation: type 1.b

Electrical connection



Extend your controller!

Plenty of accessories are available for the DeltaSol® AL:

- SD3 Smart Display (Unit °C and °F available)
- DL2 Datalogger
- VBus®/USB interface adapter
- Different sensors

The full range of accessories can be found on our website: www.resol.com



Do you have any further questions? We have the answers:

RESOL – Elektronische Regelungen GmbH

Heiskampstraße 10 • 45527 Hattingen • Germany

Tel.: +49 (0) 2324 9648 - 0 • Fax: +49 (0) 2324 9648 - 755 • E-mail: info@resol.com

