

## Datalogger DL2

Datalogging and visualisation



rosenthal design 

### Remote access to the controller and integrated data logging

The DL2 Datalogger is the interface between a RESOL controller and the Internet and additionally permits logging of system data.

The DL2 enables the access to the system data via [www.VBus.net](http://www.VBus.net).

- Remote access to the system via the VBus.net visualisation portal
- Comfortable system parameterisation via the RESOL RPT Parameterisation Tool
- Internal memory for datalogging
- Data transfer via SD card
- Firmware updates via Internet or SD card
- Suitable for all RESOL controllers with VBus<sup>®</sup>

#### RESOL DL2 Datalogger

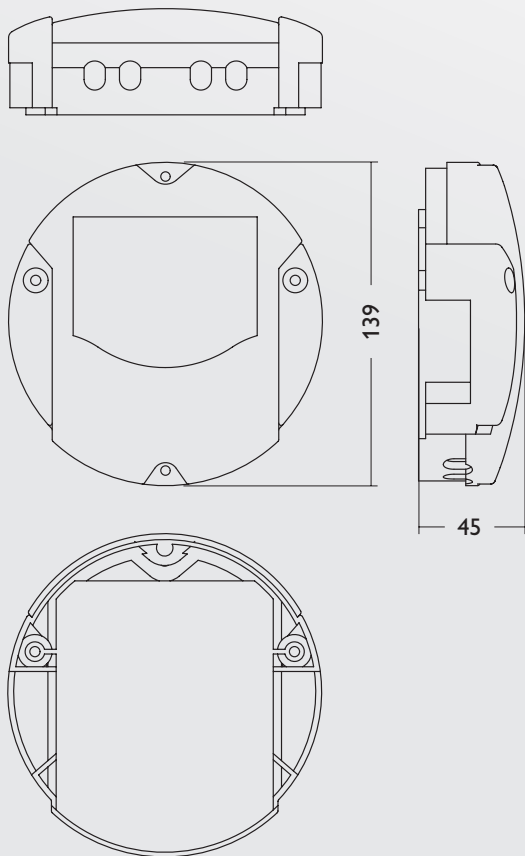
For visualisation via VBus.net, incl. SD card and network cable, mains adapter and VBus<sup>®</sup> cable pre-connected

Price bracket A | Article no.: **180 007 10**

#### MicroSD card, 4 GB memory capacity, incl. adapter

Price bracket C | Article no.: **180 007 41**

## Technical data



**Housing:** plastic PC-ABS and PMMA

**Ingress protection:** IP 20/EN 60529

**Protection class:** III

**Ambient temperature:** 0 ... 40 °C

**Dimensions:** Ø 130 mm, depth 45 mm

**Mounting:** wall mounting

**Display:** bar LED for monitoring the memory capacity,  
1 illuminated push button for indication of the SD card status

**Interfaces:**

RESOLVBus® for the connection to the controller; LAN

**Power supply:**

input voltage of mains adapter:

100 ... 240 V~, 50-60 Hz

rated current: 350 mA

input voltage of Datalogger: 5V $\pm$  5 %

**Memory:** 160 MB internal memory,  
with a logging interval of 5 min sufficient for:

- 18 months for a systems with one *DeltaSol*® MX, 3 EM, 3 heating circuits and 1 HQM
- 24 months for a system with one *DeltaSol*® MX, 1 EM and 1 heating circuit
- 30 months for a system with one *DeltaSol*® MX

## Electrical connection



**VBus.net**

The [www.VBus.net](http://www.VBus.net) visualisation portal – your system data displayed as live data, diagrams and tables