

## PSW Basic Pump signal converter



High efficiency  
without  
replacing the  
controller

The PSW Basic Pump signal converter is used for connecting speed-controlled high-efficiency pumps with a PWM or 0-10 V control input to a controller without a corresponding output. Thus, when replacing the pump, speed control can be enabled without replacing the controller.

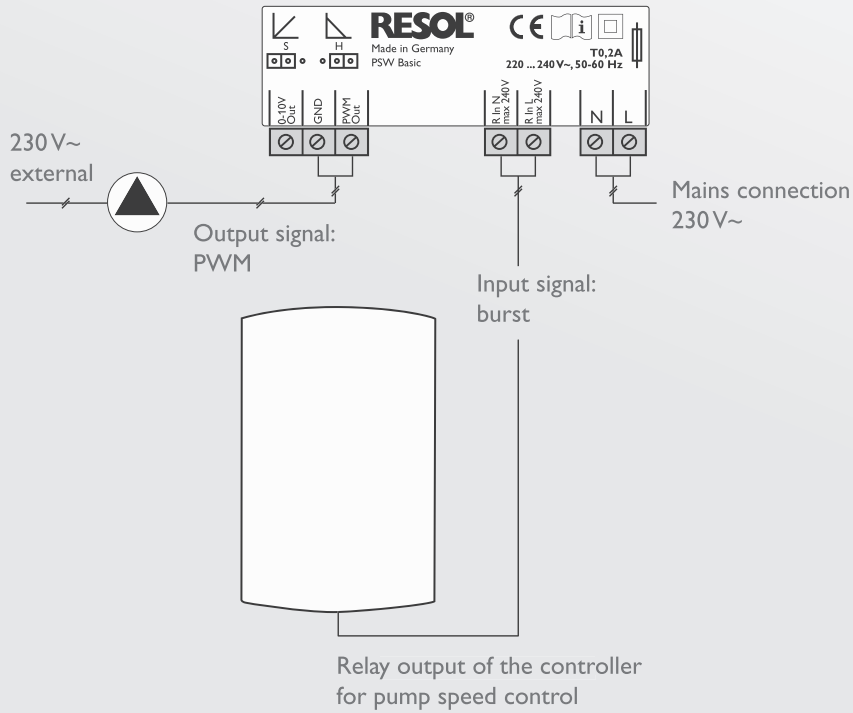
The PSW Basic is small, easy to install and simple to connect. It covers a large part of the most common signal combinations – it converts the signal of a speed-controlling semiconductor relay into either a PWM or a 0-10 V signal, both of those inverted if necessary.

- For solar and heating pumps
- PWM or 0-10 V output signal
- Inversion of the output signal possible
- Robust and dripping water protected housing

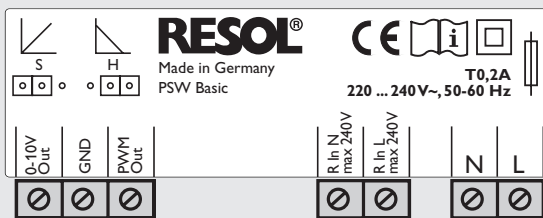
**RESOL PSW Basic**Price bracket B | Article no: **180 010 53****Set incl. Wilo Yonos Para 15/7 pump (130 mm)**Price bracket B | Article no: **180 011 80****Set incl. Wilo Yonos Para 25/7 pump (130 mm)**Price bracket B | Article no: **180 011 90****Set incl. Wilo Yonos Para 25/7 pump (180 mm)**Price bracket B | Article no: **180 012 00**

Customised and OEM versions are available on request.  
Please contact our sales team.

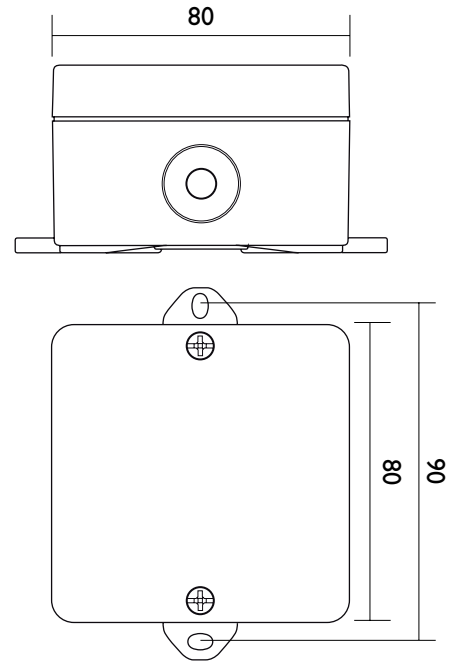
## Example



## Electrical connection



## Technical data



**Inputs:** bursts, phase cutting

**Outputs:** PWM/0-10 V

**PWM frequency:** 625 Hz  $\pm 15\%$

**PWM voltage:** 11 V

**Power supply:** 220 ... 240 V~ (50 ... 60 Hz)

**Supply connection:** Y

**Power consumption:** max. 1,5 VA

**Mode of operation:** 1.Y

**Rated impulse voltage:** 2,5 kV

**Functions:**

signal converter, converting a speed-controlled 230 V signal into a PWM or 0-10 V signal

**Housing:** plastic

**Mounting:** Wall mounting

**Ingress protection:** IP 20/EN60529

**Protection class:** II

**Ambient temperature:** 0 ... 50 °C

**Pollution degree:** 2

**Dimensions:** 80 x 80 x 53 mm

Do you have any further questions? We have the answers:

© RESOL – Elektronische Regelungen GmbH ■ [info@resol.com](mailto:info@resol.com) ■ [www.resol.com](http://www.resol.com)