

## Monitor up to 6 controllers with the **DL3 Datalogger**



rosenthal design 1



- ✓ Data logging and parameterization of up to 6 VBus® master devices
- ✓ Temperature measurements and logging via integrated sensor inputs possible
- ✓ BACnet functionality for BACnet-conform transmission and reception of data
- ✓ All important settings directly adjustable on the DL3
- ✓ Internet access via VBus.net – without any tedious router configuration
- ✓ Live data configuration with filters and customized views
- ✓ Firmware update possible over SD card or Internet

Subject to technical changes



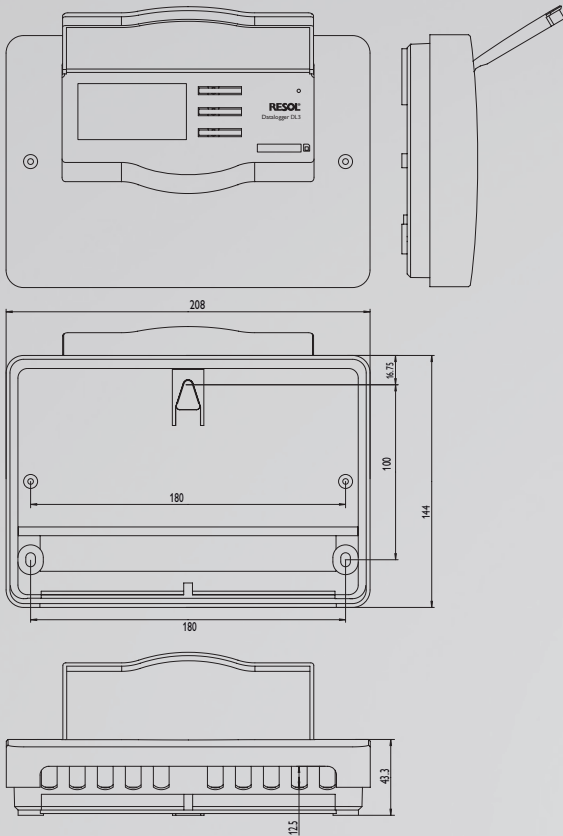
### VBus.net

The server-based solution for easy and secure system data access without any network knowledge.

With VBus.net, Internet access to a solar thermal system is as easy as registering with an online shop.

[www.vbus.net](http://www.vbus.net)

# Technical data



**Housing:** plastic, PC-ABS and PMMA

**Protection type:** IP 20/EN 60529

**Protection class:** III

**Ambient temperature:** 0 ... 40 °C

**Dimensions:** 144 x 208 x 43 mm

**Mounting:** wall mounting, mounting into patch panels possible

**Display:** full graphic display for status visualization and operating control LED

**Inputs:** for 3 Pt1000, Pt500 or KTY temperature sensors, 1 current loop interface 0(4)-20 mA

**Operation:** 3 push buttons

**Interfaces:** 6 x VBus® (slave), 1 x SD card slot, 1 x LAN (10/100), 1 x USB master

**Data memory:** 192 MB (internal)

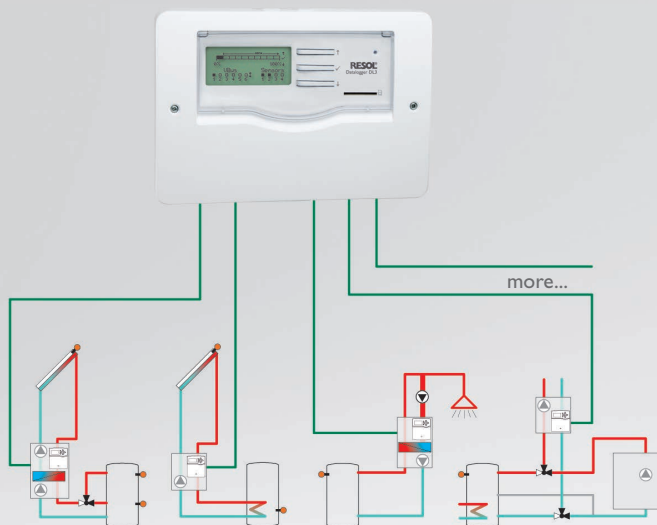
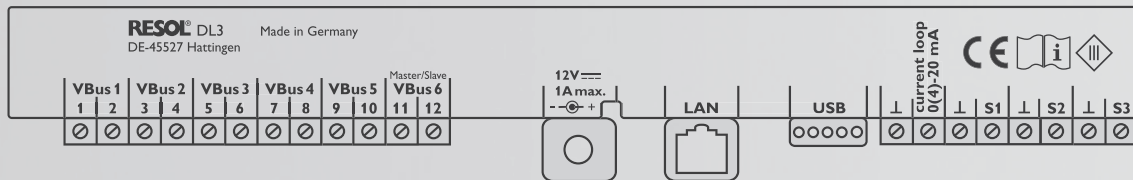
**Power supply:**

input voltage of power supply adapter: 100 ... 240 V~

rated current: 1 A

input voltage of Datalogger: 12 V==

## Electrical connection



Be it solar thermal, heating or DHW heat exchange controllers – with the RESOL DL3 you can easily and conveniently log system data of up to 6 controllers.

Get a comprehensive overview of all controllers connected with the large full graphic display. Transfer data with an SD memory card or use the LAN interface to view and process data on your PC.

