

DeltaSol® SLT



Freely
configurable
compact-class
controller

Numerous pre-programmed
optional functions!

The **DeltaSol® SLT** effortlessly controls even complex systems. 27 pre-configured system layouts with numerous **pre-programmed optional functions** such as thermal disinfection or zone loading enable adaptation to the individual system requirements.

The operation via 2 main buttons and 1 adjustment dial, the **Lightwheel®**, still follows the well-known operating concept. The multicoloured LED, integrated in the **Lightwheel®**, offers **many possibilities to signal different system states**.

The microSD card slot, the **mini USB connection** and the **2 microbuttons** for quick access to the manual mode and the holiday function are located underneath the slidable housing cover, the **SLider**.

- 4 relay outputs (incl. 1 extra-low voltage relay)
- 4 inputs for Pt1000, Pt500 or KTY temperature sensors
- Inputs for 1 analog Grundfos Direct Sensor™ and 1 Flowrotor
- 1 V40 impulse input (also usable as a Pt1000, Pt500 or KTY temperature sensor input)
- 2 PWM outputs for the speed control of high-efficiency pumps
- MicroSD card slot, LAN and mini USB connections
- Automatic function control according to VDI 2169

RESOL **DeltaSol® SLT**

Article no.: **115 004 03**

RESOL **DeltaSol® SLT – Full kit**

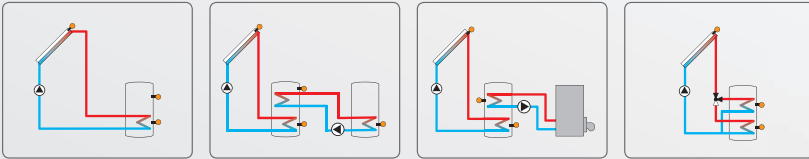
Incl. 4 Pt1000 sensors (2 x FKP6, 2 x FRP6)

Article no.: **115 004 13**

Customized and OEM versions are available on request.
Please contact our sales team.



Examples

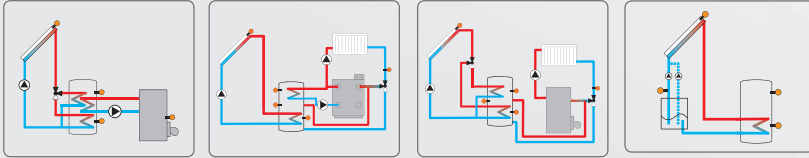


Solar system with 1 tank

Solar system with 1 tank and heat exchange controller

Solar system with 1 tank and thermostatic afterheating

Solar system with tank loading in layers



Solar system with tank loading in layers and solid fuel boiler

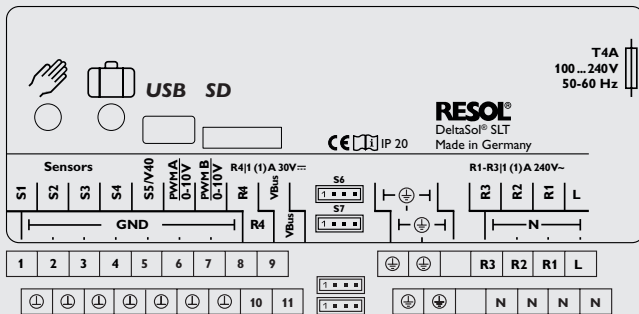
Solar system with 1 tank, heating circuit return preheating and thermostatic afterheating

Solar system with multi-layer tank and heating circuit return preheating

Solar drainback system with booster*

* Application examples

Electrical connection



Sensor 6: Grundfos Direct Sensor™, Sensor 7: Flowrotor

Accessories



MicroSD card
MicroSD card, 4 GB memory capacity, incl. adapter
Article no.: **180 007 41**



RESOL Datalogger DL2
Datalogger incl. RESOL ServiceCenter Software ready to plug in with power supply adapter and VBus®
Article no.: **180 007 10**



RESOL Datalogger DL3
Datalogger incl. RESOL ServiceCenter Software ready to plug in with power supply adapter, VBus® and SD card
Article no.: **180 009 90**

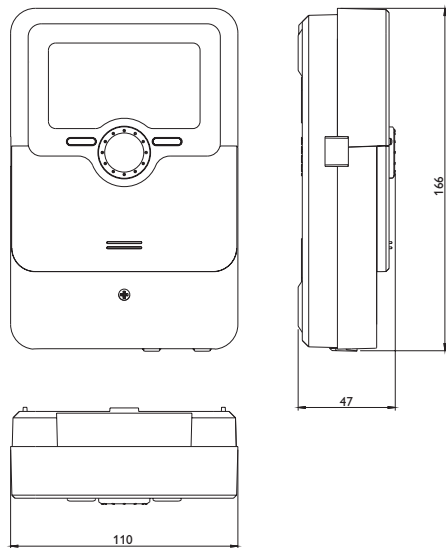


Grundfos Direct Sensor™ VFS/RPS
Analog sensors in different versions



RESOL V40
V40 flowmeter in different versions

Technical data



Inputs: 4 inputs for Pt1000, Pt500 or KTY temperature sensors, 1 analog Grundfos Direct Sensor™, 1 Flowrotor, 1 V40 impulse input (also usable as a Pt1000, Pt500 or KTY temperature sensor input)

Outputs: 3 semiconductor relays, 1 dry-contact extra-low voltage relay, 2 PWM outputs (switchable to 0-10 V)

Switching capacity:

1 (1) A 240 V~ (semiconductor relay)
4 (2) A 24 V~ / 240 V~ (dry-contact relay)

Total switching capacity: 4 A 240 V~

Power supply: 100 ... 240 V~ (50 ... 60 Hz)

Supply connection: type Y attachment

Power consumption: < 1 W (standby)

Mode of operation: type 1.B.C.Y action

Rated impulse voltage: 2.5 kV

Data interface: RESOL VBus®, MicroSD card slot, LAN and mini USB connections

VBus® current supply: 60 mA

Functions: operating hours counter, evacuated tube collector function, zone loading, heat exchange, speed control, energy metering, adjustable system parameters and optional functions (menu-driven), balance and diagnostics function, function control according to VDI 2169

Housing: plastic, PC-ABS and PMMA

Mounting: wall mounting, mounting into patch panels is possible

Indication/Display: full graphic display, Lightwheel® (adjustment dial) and background illumination

Operation: 4 push buttons at the front and 1 Lightwheel®

Ingress protection: IP 20 / EN 60529

Protection class: I

Ambient temperature: 0 ... 40 °C / 32 ... 104 °F

Pollution degree: 2

Dimensions: 110 x 166 x 47 mm / 4.33" x 6.53" x 1.85"

Do you have any further questions? We have the answers:

© RESOL – Elektronische Regelungen GmbH ■ info@resol.de ■ www.resol.de