

DeltaSol® SL



Modern  
design, many  
application  
possibilities!

Integrated MicroSD card slot!

With its versatile software, the **DeltaSol® SL** can control even complex systems easily and reliably. **27 pre-configured system layouts** with up to **3 hydronic variants** each facilitate the commissioning and enable the adaptation to the individual system requirements.

The operation via **2 main buttons** and **1 adjustment dial**, the **Lightwheel®**, still follows the well-known operating concept. The **multicoloured LED**, integrated in the **Lightwheel®**, offers many possibilities to signal different system states.

The **microSD card slot** and the **2 microbuttons** for quick access to the manual mode and the holiday function are located underneath the slidable housing cover, the **SLider**.

- 4 relay outputs (incl. 1 extra-low voltage relay)
- 4 inputs for Pt1000, Pt500 or KTY temperature sensors
- Inputs for 1 analog Grundfos Direct Sensor™ and 1 Flowrotor
- 1 V40 impulse input (also usable as a Pt1000, Pt500 or KTY temperature sensor input)
- 2 PWM outputs for the speed control of high-efficiency pumps
- 27 basic system layouts with up to 3 hydronic variants each to choose from
- Automatic function control according to VDI 2169

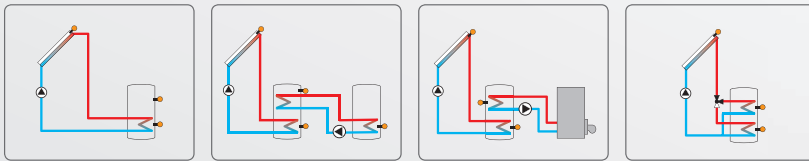
RESOL DeltaSol® SL  
Article no.: **115 003 37**

RESOL DeltaSol® SL – Full kit  
Incl. 4 Pt1000 sensors (2 x FKP6, 2 x FRP6)  
Article no.: **115 003 47**

Customized and OEM versions are available on request.  
Please contact our sales team.



## Examples

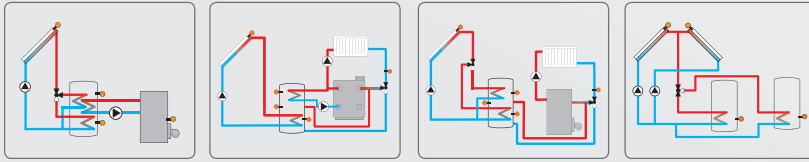


Solar system with 1 tank

Solar system with 1 tank and heat exchange controller

Solar system with 1 tank and thermostatic afterheating

Solar system with tank loading in layers



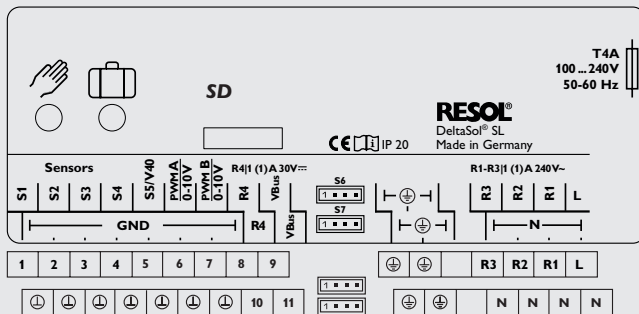
Solar system with tank loading in layers and solid fuel boiler

Solar system with 1 tank, heating circuit return preheating and thermostatic afterheating

Solar system with multi-layer tank and heating circuit return preheating

Solar system with east-west collectors and 2 tanks (valve logic)

## Electrical connection



Sensor 6: Grundfos Direct Sensor™, Sensor 7: Flowrotor

## Accessories



MicroSD card  
MicroSD card, 4 GB memory capacity, incl. adapter  
Article no.: **180 007 41**



Grundfos Direct Sensor™ VFS/RPS  
Analog sensors in different versions



RESOL Datalogger DL2  
Datalogger incl. RESOL ServiceCenter Software ready to plug in with power supply adapter and VBus®  
Article no.: **180 007 10**

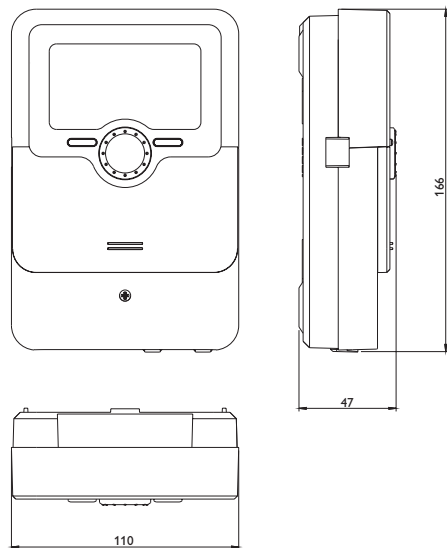


RESOL AM1  
Alarm module for signaling system failures  
Article no.: **180 008 70**



RESOL SP10  
Sensor overvoltage protection  
Article no.: **180 110 70**

## Technical data



**Inputs:** 4 inputs for Pt1000, Pt500 or KTY temperature sensors, 1 analog Grundfos Direct Sensor™, 1 Flowrotor, 1 V40 impulse input (also usable as a Pt1000, Pt500 or KTY temperature sensor input)

**Outputs:** 3 semiconductor relays, 1 dry-contact extra-low voltage relay, 2 PWM outputs (switchable to 0-10 V)

### Switching capacity:

1 (1) A 240 V~ (semiconductor relay)  
4 (2) A 24 V~ / 240 V~ (dry-contact relay)

**Total switching capacity:** 4 A 240 V~

**Power supply:** 100 ... 240 V~ (50 ... 60 Hz)

**Supply connection:** type Y attachment

**Power consumption:** < 1 W (standby)

**Mode of operation:** type 1.B.C.Y action

**Rated impulse voltage:** 2.5 kV

**Data interface:** RESOLVBus®, MicroSD card slot

**VBus® current supply:** 60 mA

**Functions:** operating hours counter, evacuated tube collector function, thermostat function, pump speed control, energy metering, adjustable system parameters and optional functions (menu-driven), balance and diagnostics function, function control according to VDI 2169

**Housing:** plastic, PC-ABS and PMMA

**Mounting:** wall mounting, mounting into patch panels is possible

**Indication/Display:** System-Monitoring-Display, for visualisation of the systems, 16-segment-display, 8 symbols for indication of the system status, Lightwheel® (adjustment dial) and background illumination

**Operation:** 4 push buttons at the front and 1 Lightwheel®

**Ingress protection:** IP 20/EN 60529

**Protection class:** I

**Ambient temperature:** 0 ... 40 °C/32 ... 104 °F

**Pollution degree:** 2

**Dimensions:** 110 x 166 x 47 mm/4.33" x 6.53" x 1.85"

Do you have any further questions? We have the answers:

© RESOL – Elektronische Regelungen GmbH ■ info@resol.de ■ www.resol.de