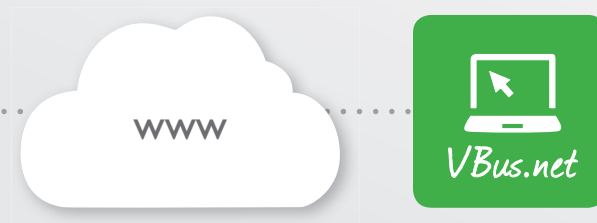
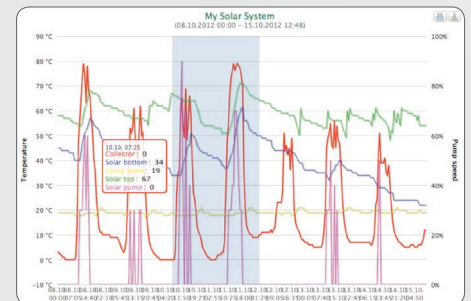


## VBus.net

Internet access to your solar thermal and heating system with just a few clicks



[www.vbus.net](http://www.vbus.net)



- ✓ Your solar thermal and heating system on the Internet – without any tedious router configuration
- ✓ Really easy with a DL2, DL3 Datalogger or KM1 communication module
- ✓ Visualization also for many mobile devices
- ✓ System access via the Web browser – no software installation required
- ✓ Data progress charts as live data displays or diagrams
- ✓ Optional publication of system data with only one click
- ✓ Personalized filters for customized data displays



## DL2 Datalogger



rosenthal design 

This additional module enables the acquisition and storage of large amounts of data (such as measuring and balance values of the solar system) over a long period of time. System access is possible with just a few clicks via VBus.net – without any network knowledge or tedious router configuration. For transmission of the data stored in the

internal memory of the DL2 to a PC, an SD card can be used. The DL2 is appropriate for all controllers with RESOL VBus®. The datalogger can be connected directly to a PC or router for remote inquiry and thus enables comfortable system monitoring for yield monitoring or for diagnostics of faults.

- ✓ Visualization of system states
- ✓ Yield monitoring
- ✓ Easy error diagnostics
- ✓ Internet access via VBus.net – without any tedious router configuration
- ✓ Export function for further data processing in spreadsheet programs
- ✓ Direct connection of PC or router for remote access



Integrated LAN connection



SD memory card slot



Easy monitoring of memory capacity

### RESOL DL2 Datalogger

Datalogger incl. RESOL ServiceCenter software full version ready to plug in with power supply adapter and VBus®

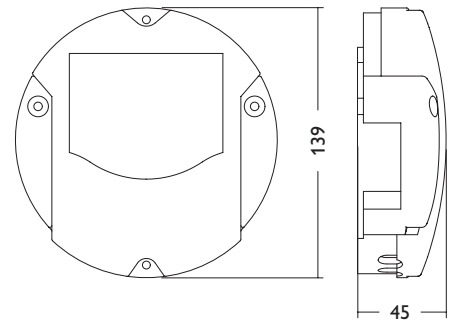
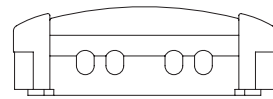
Article no.: **180 007 10**

### SD card

SD card with 2 GB memory capacity

Article no.: **180 007 40**

## Technical data



**Housing:** plastic PC-ABS and PMMA

**Protection type:** IP 20/EN 60529

**Ambient temperature:** 32...104 °F

**Dimensions:** Ø 130 mm, depth 45 mm/1.8"

**Mounting:** wall mounting

**Display:** bar LED for monitoring the memory capacity, 1 illuminated push button for indication of the SD memory card status

### Interfaces:

VBus® for connection to RESOL controllers. LAN

### Power supply:

input voltage of power supply adapter: 100 ... 240V~  
rated current: 350 mA

input voltage of Datalogger: 5V DC ± 5%

**Memory:** 180 MB internal memory, with a logging interval of 5 min. sufficient for:

- 20 months for a system with a DeltaSol® MX, 3 EMs, 3 heating circuits and 1 internal energy metering
- 26 months for a system with a DeltaSol® MX, 1 EM and 1 heating circuit
- 33 months for a system with a DeltaSol® MX

The Datalogger can be branded with your own logo. Please contact our sales team.