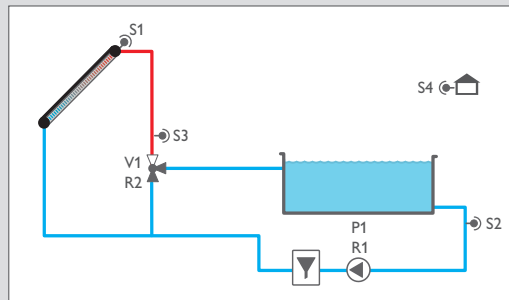




EXAMPLE



DeltaSol® Minipool

The *DeltaSol®* Minipool is a controller for heating a swimming pool by means of solar collectors and optimised operation of the filter system. Furthermore, the controller has many additional pool functions such as: maximum limitation of flow temperature, pool

cooling function and a flushing function. The *DeltaSol®* Minipool can easily be connected to other modules via the VBus®.

Controller for solar swimming pool heating!

- 4 sensor inputs and 2 relay outputs
- Filter runtime monitoring, maximum flow temperature limitation
- Cooling function, collector emergency shutdown
- Heat quantity measurement, operating hours counter

TECHNICAL DATA

Inputs: 4 Pt1000 temperature sensors

Outputs: 2 semiconductor relays

Switching capacity: 0.5 (0.5) A 240 V~ (semiconductor relay)

Total switching capacity: 0.8 A 240 V~

Power supply: 220–240 V~

Supply connection: type X attachment

Standby: 2.98 W

Mode of operation: typ 1.C.Y

Rated impulse voltage: 2.5 kV

Data interface: RESOLVBus®

VBus® current supply: 30 mA

Functions: controller for heating a swimming pool by means of solar collectors and optimised operation of the filter system

Housing: plastic, PC-ABS and PMMA

Mounting: wall mounting, mounting into patch panels is possible

Indication/Display: graphic display, 160x64 pixels

Operation: 3 buttons

Ingress protection: IP 20 / EN 60529

Protection class: I

Ambient temperature: 0 ... 40 °C

Dimensions: 172 x 110 x 49 mm

Article no.	Article	Price bracket
115 662 93	DeltaSol® Minipool – Swimming pool controller	A
115 663 03	DeltaSol® Minipool – Full kit » incl. 3 Pt1000 sensors (1 x FKP6, 2 x FRP6)	A