



## DeltaSol® BS series

The RESOL controllers for standard solar thermal systems. The DeltaSol® BS series provides a clear operating concept.

The intuitive commissioning menu leads you through the initial configuration in only a few steps.

The system selected is shown on the display, the status of the individual components is indicated by means of flashing codes.

The DeltaSol® BS series is available in 3 versions, depending on the demands. Details concerning the number of the relays as well as additional functions are shown in the technical data.

Customised and OEM versions are available on request. Please contact our sales team.



cTUVus  
certified!\*



RCM compliant according  
to Australian standards\*\*



## User-friendly and versatile!

### DeltaSol® BS series

- Drainback option
- Heat quantity measurement
- Function control
- Commissioning menu
- Unit °C and °F selectable
- HE pump control via adapter

### DeltaSol® BS/4, BS Plus

- 3 basic system layouts (DeltaSol® BS/4), 10 basic system layouts (DeltaSol® BS Plus) to choose from
- Tube collector function, thermal disinfection function, time-controlled thermostat function

#### RESOL DeltaSol® BS

Price bracket A | Article no. BS/2: **115 412 33**  
Price bracket A | Article no. BS/4: **115 425 13**

#### RESOL DeltaSol® BS – Full kit

Incl. 3 Pt1000 sensors (1 x FKP6, 2 x FRP6)  
Price bracket A | Article no. BS/2: **115 412 43**  
Price bracket A | Article no. BS/4: **115 425 23**

#### RESOL DeltaSol® BS Plus

Price bracket A | Article no.: **115 422 03**

#### RESOL DeltaSol® BS Plus – Full kit

Incl. 4 Pt1000 sensors (2 x FKP6, 2 x FRP6)  
Price bracket A | Article no.: **115 422 13**



Visit [www.resol.de/videos](http://www.resol.de/videos) for a product video about this controller

\* The cTUVus certification confirms that the controller is certified to UL 60730-1:2009 and CSA B60730.1:2002.

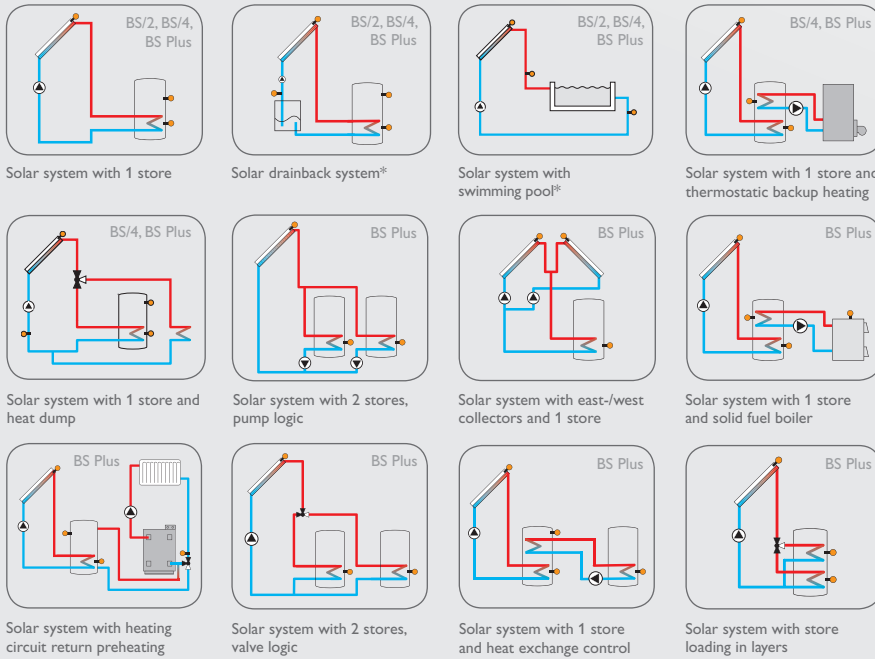
\*\* AS/NZS 60335.1:2011+A1+A2+A3+A4

## ELECTRICAL CONNECTION

<b>RESOL</b> DE-45327 Hattingen DeltaSol BS/4 V2 Made in Germany										T4A 100 ... 240 V~ 50-60 Hz														
Temp. Sensor Pt1000										CU 72091163 01														
S1 S2 S3 S4 VBus										R1   1 (1) A 100 ... 240 V~ R2   1 (1) A 100 ... 240 V~														
1	2	3	4	5	6	7	8	9	10	12	13	14	15	16	17	18	19	20	N	R2	N	R1	N	L
⊕	⊕	⊕	⊕	⊕	⊕	⊕	⊕	⊕	⊕	⊕	⊕	⊕	⊕	⊕	⊕	⊕	⊕	⊕	⊕	⊕	⊕	⊕	⊕	⊕

Example DeltaSol® BS/4

## EXAMPLES



\* Application examples

## ACCESSORIES

**RESOL Moisture-proof housing (IP 66/67)**  
Moisture-proof housing for controller installation outdoors or in highly humid locations (without controller)  
Price bracket B | Article no.: **290 028 70**

**RESOL PSW Basic**  
Pump signal converter  
Price bracket B | Article no.: **180 010 50**

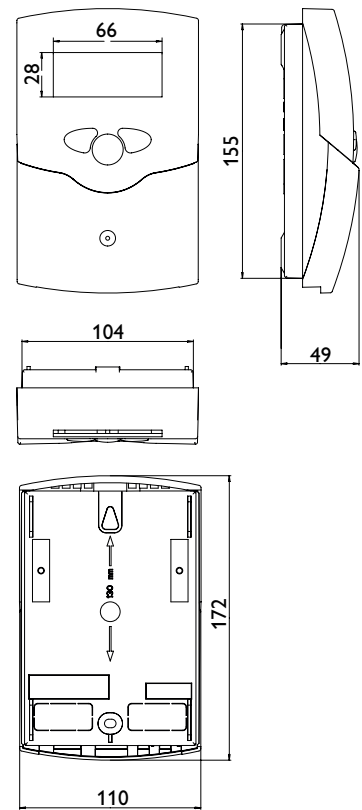
**RESOL SP10**  
Sensor overvoltage protection  
Price bracket A | Article no.: **180 110 70**

**Auxiliary relay HR230**  
Single-phase, suitable for all RESOL controllers  
Price bracket A | Article no.: **280 002 60**

**RESOL VBus®/USB interface adapter**  
PC connection kit for RESOL controllers with VBus® incl. Service CD  
Price bracket B | Article no.: **180 008 50**

**RESOL SD3 Smart Display**  
Display module for the living area with 3 displays for collector and store temperature as well as for heat quantity  
Price bracket A | Article no.: **180 004 90**

## TECHNICAL DATA



**Inputs:** 4 Pt1000 temperature sensors

**Outputs:** 1 semiconductor relay (BS/2), 2 semiconductor relays (BS/4, BS Plus)

**Switching capacity:**  
1 (1) A 240 V~ (semiconductor relay)

**Total switching capacity:**  
1 A 240 V~ (BS/2),  
2 A 240 V~ (BS/4, BS Plus)

**Power supply:** 100 ... 240 V~ (50 ... 60 Hz)

**Supply connection:** type Y attachment

**Standby:**  
0.45 W (BS/2), 0.74 W (BS/4), 0.38 W (BS Plus)

**Temperature controls class:** I (BS/4, BS Plus)

**Energy efficiency contribution:** 1 % (BS/4, BS Plus)

**Mode of operation:** type 1.C.Y action

**Rated impulse voltage:** 2.5 kV

**Data interface:** RESOL VBus®

**VBus® current supply:** 35 mA

**Functions:** function control, operating hours counter, tube collector function (BS/4, BS Plus), heat quantity measurement and pump speed control

**Housing:** plastic, PC-ABS and PMMA

**Mounting:** wall mounting, mounting into patch panels is possible

**Indication/Display:** System-Monitoring-Display for system visualisation, 16-segment and 7-segment display, 8 symbols for indication of system status and operating control LED

**Operation:** 3 push buttons

**Ingress protection:** IP 20/EN 60529

**Protection class:** II

**Ambient temperature:** 0 ... 40 °C

**Pollution degree:** 2

**Dimensions:** 172 x 110 x 49 mm