

PSW Universal Pump signal converter



High efficiency
without
replacing the
controller



The PSW Universal Pump signal converter is used for connecting speed-controlled high-efficiency pumps to a controller without a corresponding output. Due to its flexible adjustment possibilities, almost any pump can be connected. Thus, when replacing the pump, speed control can be enabled without replacing the controller.

The PSW Universal offers a total of 80 different signal combinations between bursts, leading-edge and trailing-edge phase cutting, PWM, 0-10 V, 0-20 mA, 4-20 mA and their inverted variations.

It is additionally equipped with an L' output that renders an external power supply to the pump unnecessary.

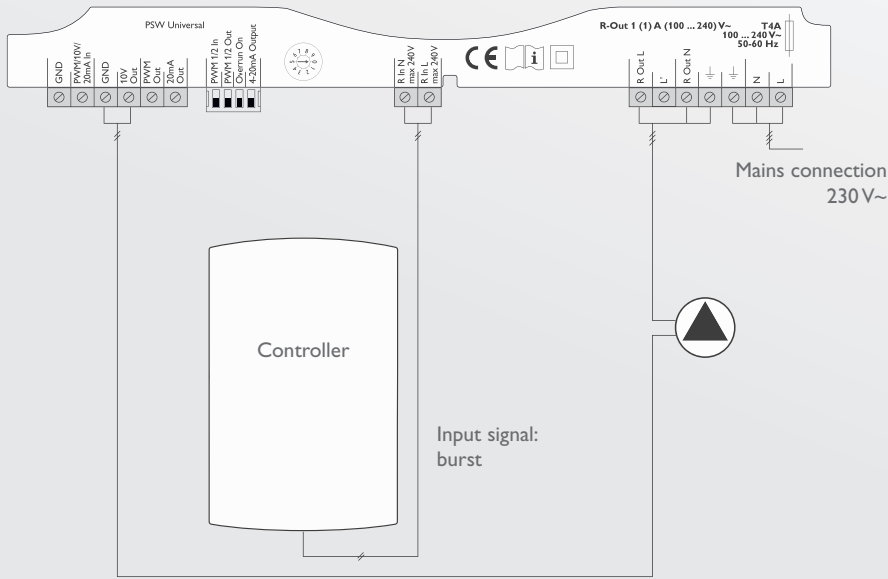
- No controller replacement required
- For solar and heating pumps
- Flexible in- and outputs: PWM, 0-10 V, 0-20 mA, 4-20 mA
- Inversion of the output signal possible

RESOL PSW Universal

Price bracket B | Article no: **180 010 60**

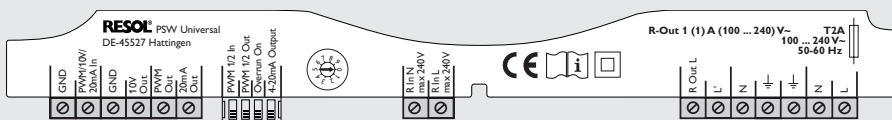
Customised and OEM versions are available on request.
Please contact our sales team.

Example

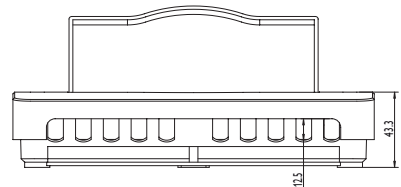
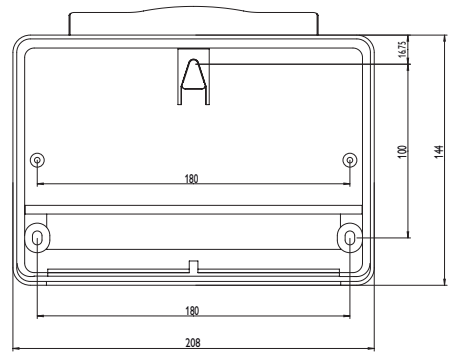
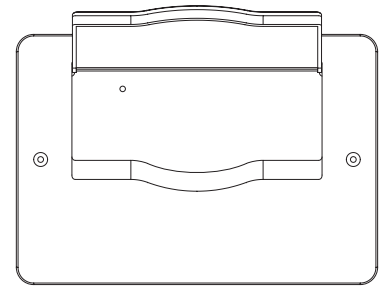


Output	PWM	PWM inv.	0-20mA	0-20mA inv.	4-20mA	4-20mA inv.	0-10V	0-10V inv.
Input								
PWM		x	x	x	x	x	x	x
PWM inv.	x		x	x	x	x	x	x
0-20mA	x	x		x	x	x	x	x
0-20mA inv.	x	x	x		x	x	x	x
4-20mA	x	x		x		x	x	x
4-20mA inv.	x	x	x	x	x		x	x
0-10V	x	x	x	x	x	x		x
0-10V inv.	x	x	x	x	x	x	x	
Burst	x	x	x	x	x	x	x	x
Leading-edge phase control	x	x	x	x	x	x	x	x
Trailing-edge phase control	x	x	x	x	x	x	x	x

Electrical connection



Technical Data



Inputs: PWM, 0-10 V, 0-20 mA, 4-20 mA, bursts, leading-edge phase control, trailing-edge phase control

Outputs:

1 semiconductor relay, 1 PWM, 0-10 V, 0-20 mA, 4-20 mA

PWM frequency: 625 Hz +1 %

PWM voltage: 11 V

Switching capacity:

1 (1) A 240 V~ (semiconductor relay)

Total switching capacity: 1 A 240 V~

Power supply: 100 ... 240 V~ (50 ... 60 Hz)

Supply connection: type Y attachment

Power consumption: < 1W

Mode of operation: 1.Y

Rated impulse voltage: 2.5 kV

Functions: signal converter

Housing: plastic

Mounting: wall mounting

Indication / Display: operating control lamp

Operation: 1 DIP switch, 1 selector switch

Protection type: IP 20/EN 60529

Protection class: II

Ambient temperature: 0 ... 40 °C

Degree of pollution: 1

Dimensions: 144 x 208 x 64 mm

Do you have any further questions? We have the answers:

© RESOL – Elektronische Regelungen GmbH ■ info@resol.com ■ www.resol.com