

For electric immersion heaters!

## TT2 Thermostat controller

The TT2 Thermostat controller is equipped with two high-current relays to which an electric immersion heater of up to 3.6 kW (230 V~)/1.8 kW (115 V~) can be connected.

Thus, the TT2 manages the time and temperature control of the electric backup heating for a DHW store. The rapid heat-up function makes for extra comfort. A wireline remote control with an integrated LED enables a comfortable operation of the rapid heat-up function.

- Direct connection of an electric immersion heater up to 3.6 kW (230 V~)/1.8 kW (115 V~)
- Time and temperature control of the electric backup heating
- Rapid heat-up function with optional remote control activation
- Intuitive operating concept
- Energy-efficient switch-mode power supply
- For thermosiphon systems

## TECHNICAL DATA

### Inputs:

1 Pt1000 temperature sensor, 1 input for RCTT Remote control

**Output:** 2 high-current relays for electric immersion heater

**Switching capacity:** 16 (3) A 240 V~ (high-current relay)

**Power supply:** 100–240 V~ (50–60 Hz)

**Supply connection:** type X attachment

**Standby:** 0.44 W

**Mode of operation:** type 1.C action

**Rated impulse voltage:** 2.5 kV

**Functions:** time-controlled thermostat function, DHW heating with rapid heat-up function

**Housing:** plastic, PC-ABS and PMMA

**Mounting:** wall mounting, also suitable for mounting into patch panels

**Display:** LC display, multi-functional combined display with pictograms, two 2-digit text fields and two 4-digit 7-segment displays

**Operation:** 3 buttons

**Ingress protection:** IP 20/EN 60529

**Protection class:** I

**Ambient temperature:** 0 ... 40 °C

**Degree of pollution:** 2

**Relative humidity:** 10 ... 90 %

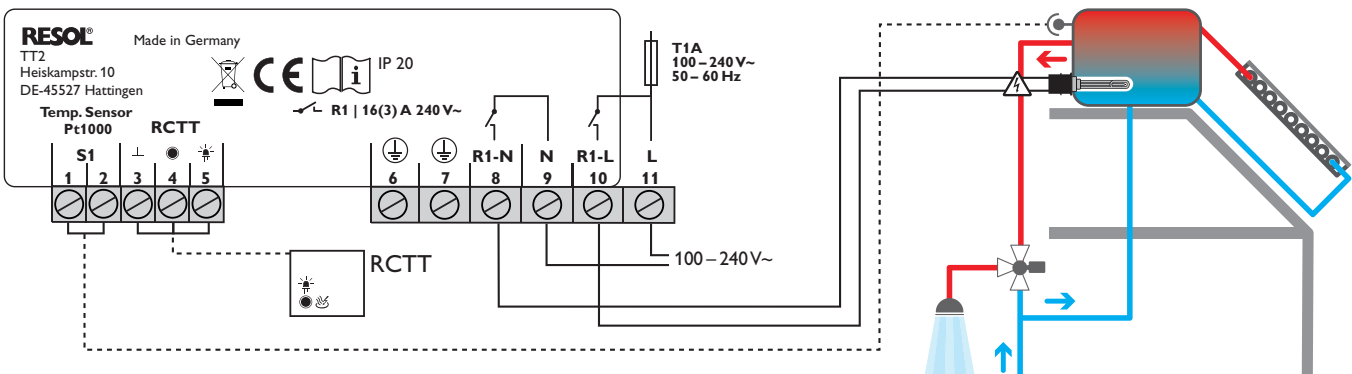
**Fuse:** T1A

**Maximum altitude:** 2000 m above MSL

**Dimensions:** 172 x 110 x 46 mm

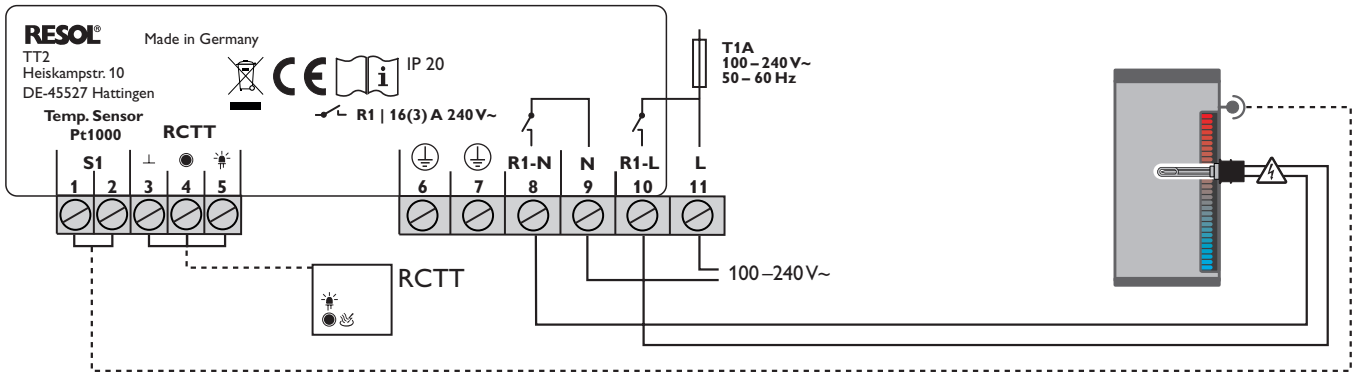
## EXAMPLE

### Thermosiphon system

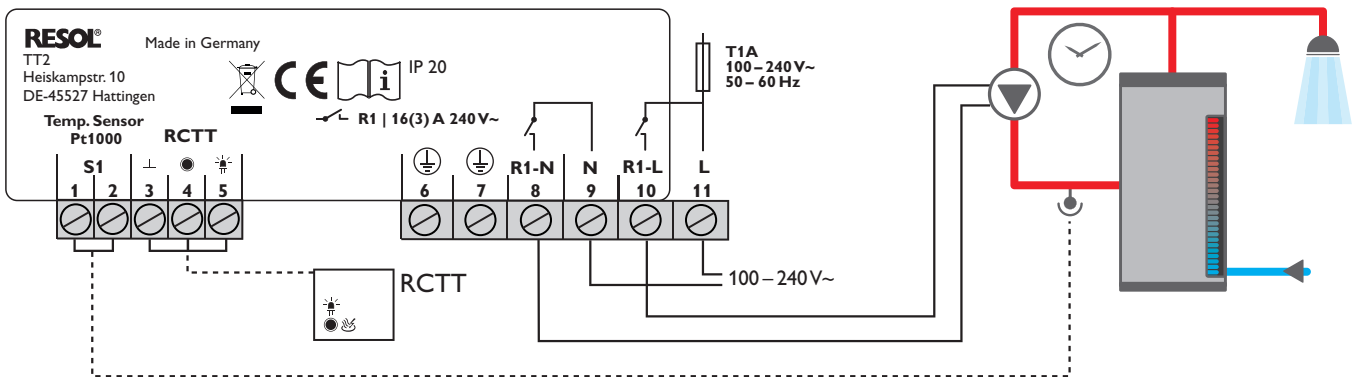


## EXAMPLE

Direct connection of an electric backup heating



Circulation



Article no.	Article	Price bracket
125 111 03	TT2 Thermostat controller	A
125 111 13	TT2 Thermostat controller – Full kit » incl. 1 Pt1000 sensor (FKP6)	A
125 111 23	TT2 Thermostat controller – Full kit » incl. 1 Pt1000 sensor (FKP6) and RCTT Remote control	A

## RCTT Remote control



- with status LED
- for connection to the TT2 or the DeltaSol® AL E HE

The RCTT Remote control is designed for activating the rapid heat-up function without accessing the controller menu.

### TECHNICAL DATA

**Housing:** wall mounting, material ASA, colour: pure white, similar to RAL 9010

**Ingress protection:** IP 10

**Ambient temperature:** 0 ... 40 °C

**Relative humidity:** 10 ... 90 %

**Dimensions:** 84.5 x 84.5 x 25 mm

Article no.	Article	Price bracket
136 000 60	RCTT Remote control	A