

Electric immersion heater

For heating and DHW heating

The electric immersion heater is designed for installation into a hot water store and can be used for heating as well as for DHW heating. In combination with the *DeltaTherm® PV* it converts excess PV current into thermal energy.

- Single-phase electric immersion heater up to 3 kW, variable and grid compliant
- Thermal cut-out at 95 °C
- Using excess current for heating a water store

RESOL Electric immersion heater

Article no.: 180 112 00

DeltaTherm® PV – POWER TO HEAT

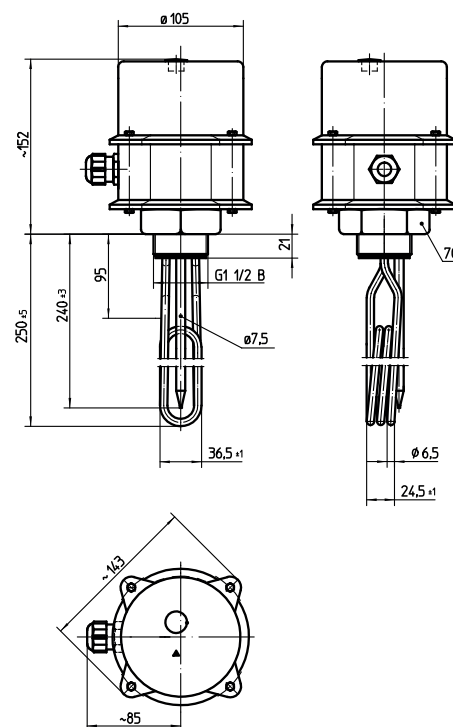


DeltaTherm® PV

incl. measuring unit and 3 current sensors

Price on request | Article no.: 115 006 53

Technical data



Maximum temperature seal pipe end: 120 °C

Maximum temperature pipe surface: 120 °C

Operating voltage: 230 V~

Power: 3 kW

Immersion depth: 250 mm

Protection class: IP 54

Unheated length: 95 mm

Thermal cut-out: 95 °C

Maximum operating pressure: 10 bar

Material:

Heating element: 2.4858, INCOLOY® 825