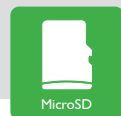




rosenthal design 



DeltaTherm® HT

The *DeltaTherm® HT* is a compact and user-friendly solution for simple heating systems and offers weather-compensated control with room influence or demand-based room control with 1 room temperature sensor. If a central outdoor sensor unit is used, several controllers can use the outdoor temperature value – this requires the installation of only 1 outdoor temperature sensor.

Additionally, there's a choice of 5 different operating modes and a night correction.

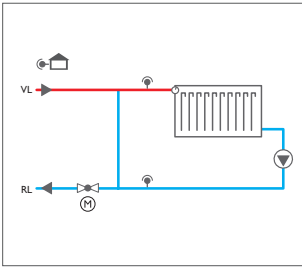
RESOL develop and produce the right OEM controller to meet your requirements, CONTACT US!

Heating circuit controller for heat interface units

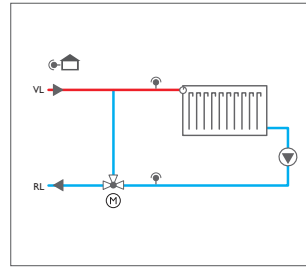
- Pre-programmed basic system
- 4 relay outputs (incl. 1 potential-free extra-low voltage relay)
- 4 inputs for Pt1000 temperature sensors
- 5 operating modes, room thermostat and night correction
- Chimney sweeper function, screed drying function and holiday mode via microbuttons
- Data logging, storing, easy transfer of controller adjustments prepared and firmware updates via MicroSD card
- Weather-compensated control with room influence or demand-based room control with 1 room temperature sensor
- Remote access with a room control unit
- Function for using a central outdoor sensor unit

Article no.	Article	Price bracket
115 006 03	DeltaTherm® HT – Heating circuit controller for heat interface units	A
115 006 13	DeltaTherm® HT – Full kit » incl. 3 Pt1000 sensors (2 x FKP23, 1 x FAP13)	A

EXAMPLES



Basic system



Basic system with mixer

TECHNICAL DATA

Inputs: 4 inputs for Pt1000 temperature sensors (1 of them can be converted to room thermostat (switch)), 1 input for remote control (RTA) or operating mode switch (BAS)

Outputs:

3 semiconductor relays, 1 potential-free extra-low voltage relay, 1 PWM output, 1 0-10V output

PWM frequency: 512 Hz

PWM voltage: 10.8 V

Switching capacity:

1 (1) A 240 V~ (semiconductor relay)

1 (1) A 30 V = (potential-free relay)

Total switching capacity: 3 A 240 V~

Power supply: 100–240 V~ (50–60 Hz)

Supply connection: type X attachment

Standby: 0.63 W

Mode of operation: type 1.B.C.Y action

Rated impulse voltage: 2.5 kV

Data interface: VBus®, MicroSD card slot

Functions:

weather-compensated heating circuit control, room thermostat, chimney sweeper function, screed drying function, holiday mode

Housing: plastic, PC-ABS and PMMA

Mounting:

wall mounting, also suitable for mounting into patch panels

Indication / Display:

full graphic display, operating control LED (Lightwheel®)

Operation: 4 buttons and 1 Lightwheel®

Ingress protection: IP 20/EN 60529

Protection class: I

Ambient temperature: 0 ... 40 °C

Degree of pollution: 2

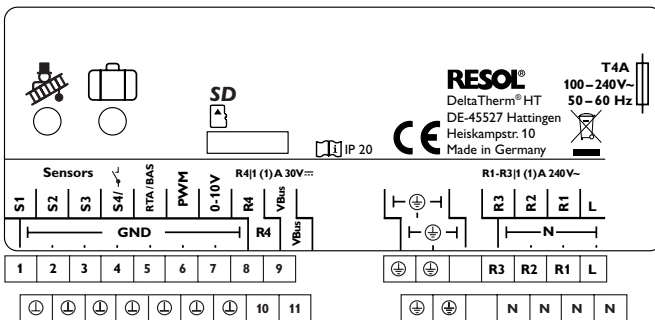
Relative humidity: 10 ... 90 %

Fuse: T4A

Maximum altitude: 2000 m above MSL

Dimensions: 110×166×47 mm

ELECTRICAL CONNECTION



ACCESSORIES

Central outdoor sensor unit



Measures the outdoor temperature and transmits this value to the controllers connected

FAP13



Outdoor temperature sensor

SP10



Sensor overvoltage protection

RTA12 Remote control



The heating curve can be comfortably adjusted from the living area

RCP12 Room control unit



The heating curve can be comfortably adjusted, incl. operating mode switch