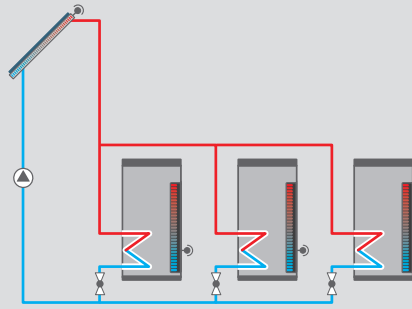




EXAMPLE



RESOL[®]
CONTROL TECHNOLOGY

VA23 motor-driven 2-port ball valve

The VA23 is a motor-driven 2-port ball valve for use in heating, cooling and DHW systems.

TECHNICAL DATA

Operating temperature: 2... 110°C

Ambient temperature: 1... 55°C

Max. operating pressure: 32 bar (3.2 MPa)

Max. differential pressure: 6 bar (600 kPa)

Medium: water with max. 50% glycol

Connection thread: IT Rp ½", ¾", 1", 1¼"

Actuator: 230V~, 50 Hz

Actuation time: 30 s (90°)

Control: 2-point signal (on/off)

Standby:

Rest position: 0 W

End position: 5 W

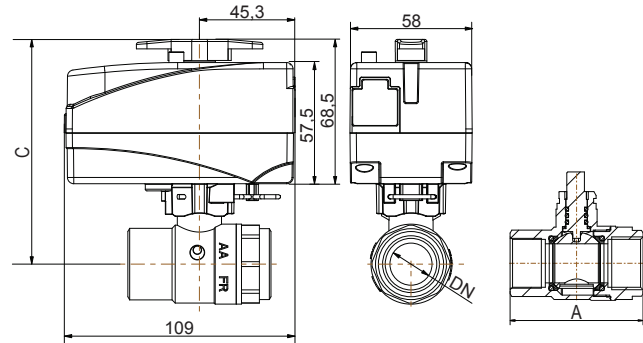
Ingress protection: IP 44

Material:

housing: brass EN 12165 CW617N

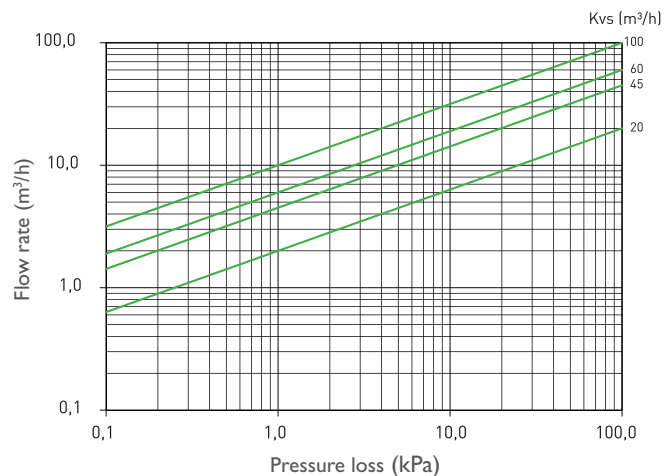
ball: brass CW617N

Cable: 3 x 0.75 mm² (insulation: PVC)



DN (Rp)	15 (½")	20 (¾")	25 (1")	32 (1¼")
A	62	68	74	84
C	104	107	112	117

(mm)



Article no.	Article	Price bracket
270 010 00	VA23-DN15 R ½" – motor-driven 2-port ball valve	B
270 010 10	VA23-DN20 R ¾" – motor-driven 2-port ball valve	B
270 010 20	VA23-DN25 R 1" – motor-driven 2-port ball valve	B
270 010 30	VA23-DN32 R 1¼" – motor-driven 2-port ball valve	B
270 010 40	Actuator for VA23	B